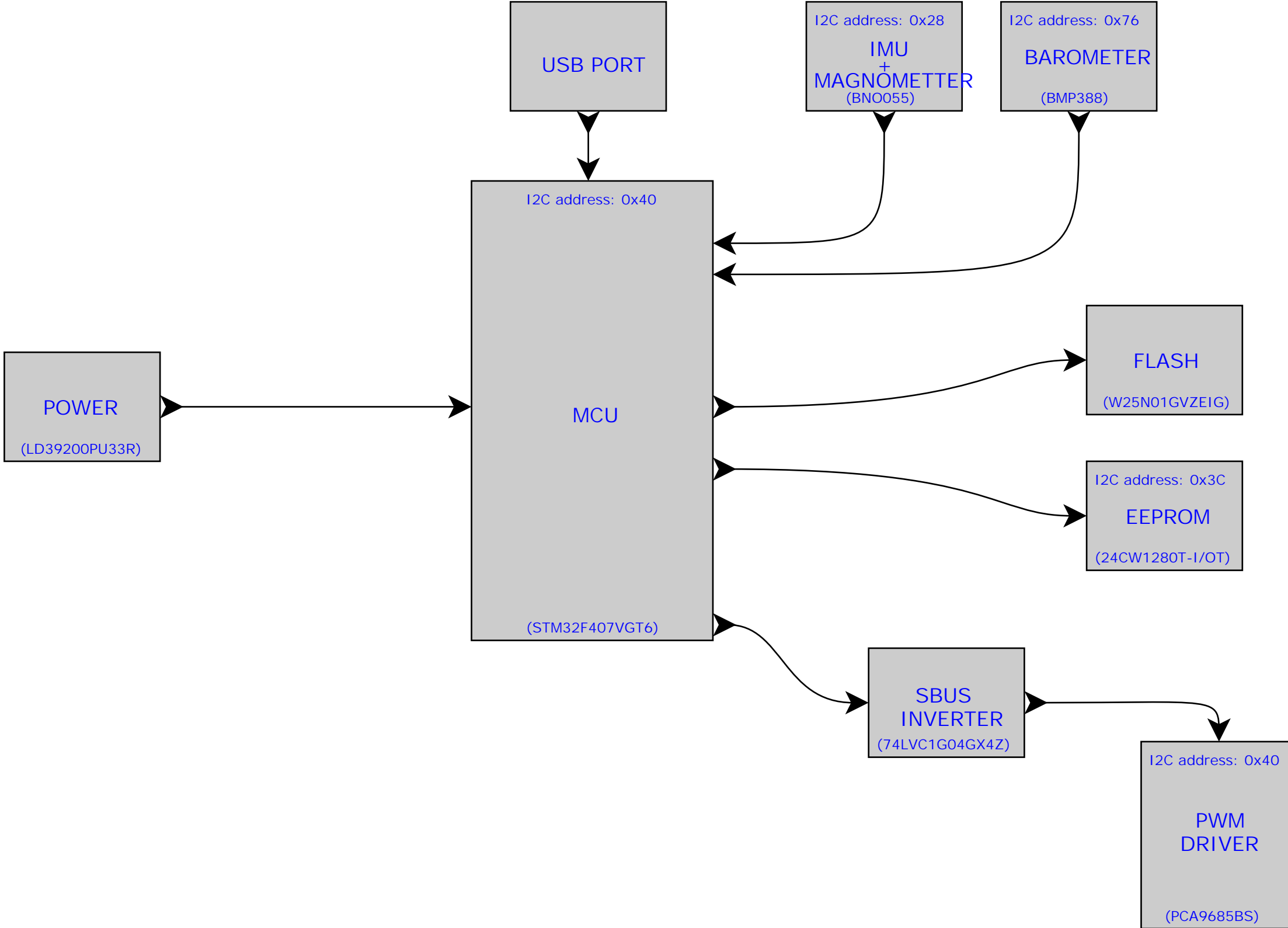


BLOCK DIAGRAM

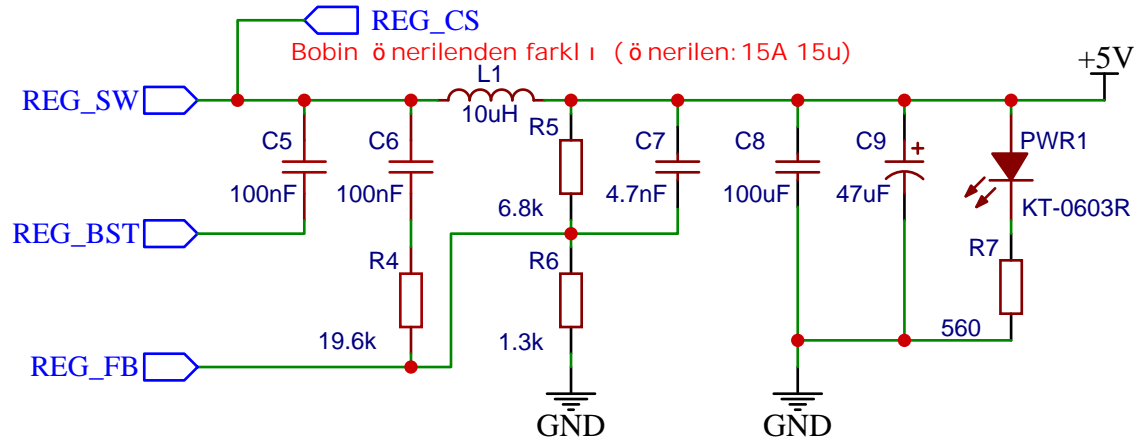
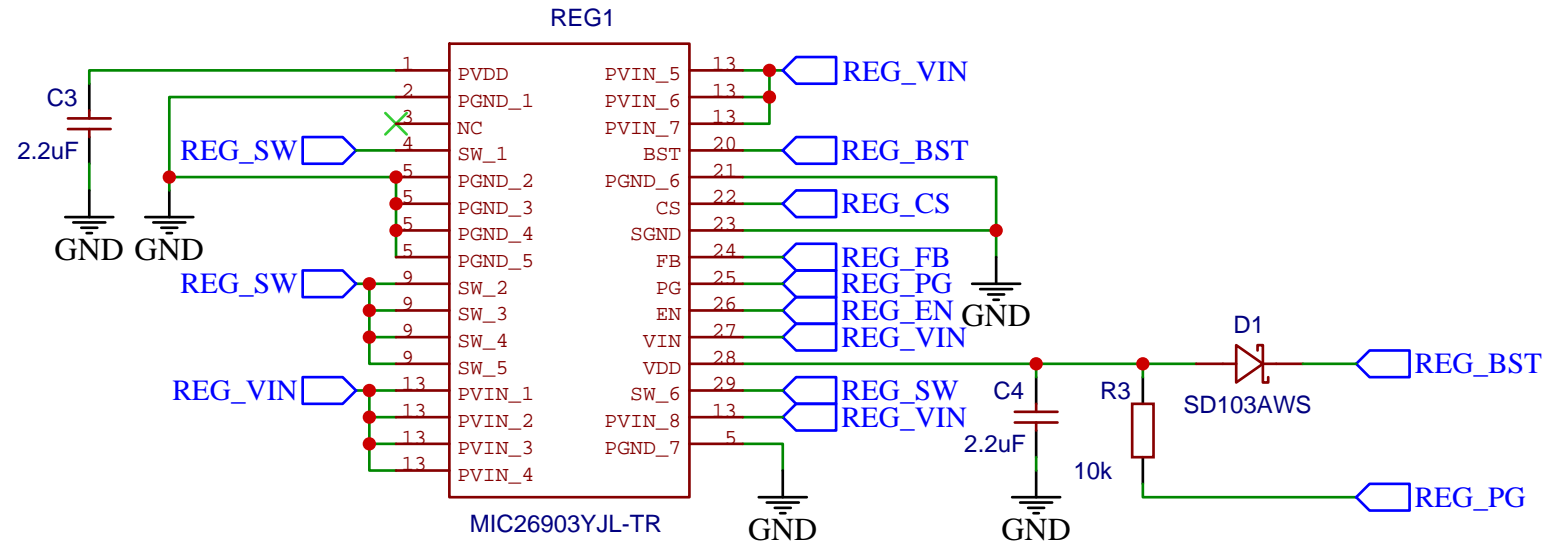
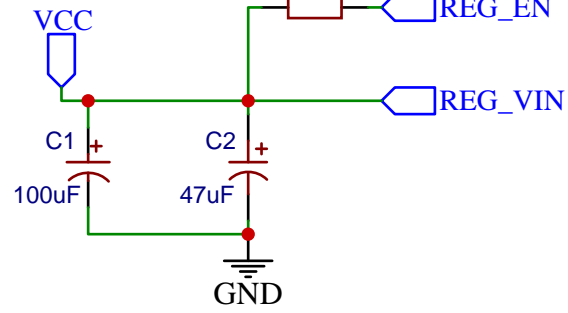
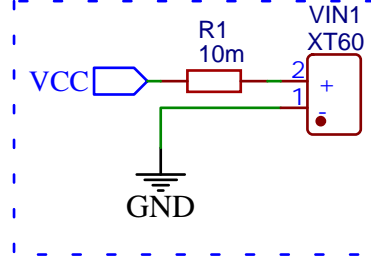


TITLE: Block Diagram		REV: 1.0
EasyEDA	Company: t ü nom	Sheet: 1/6
	Date: 2024-01-12	Drawn By: Çaar İ MANGALTEPE

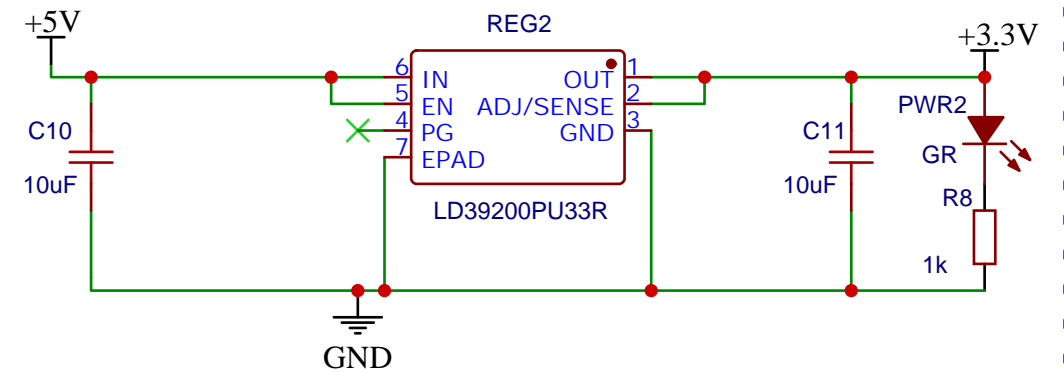
POWER

LIPO-5V Regulator

Power connection

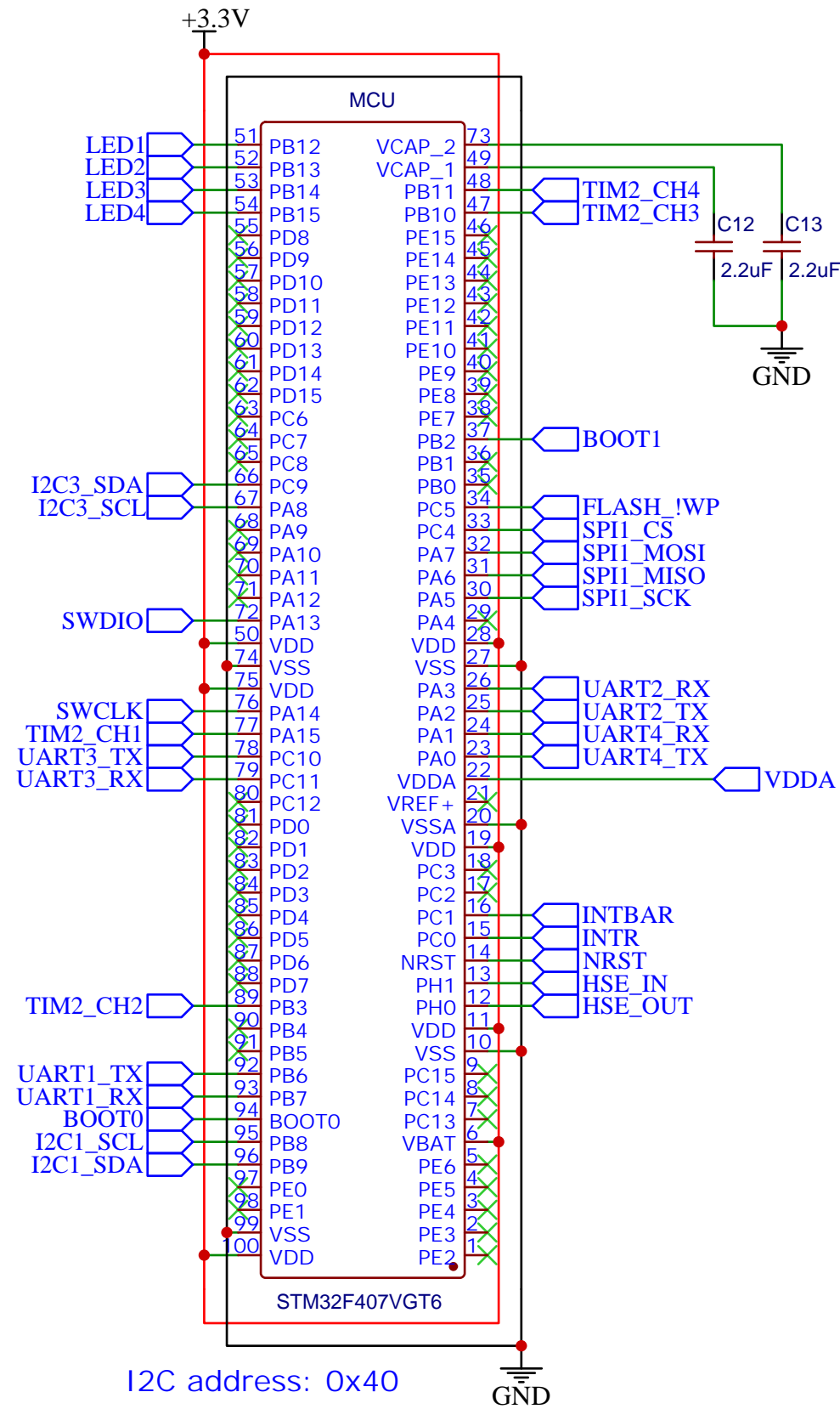


5V-3.3V Regulator

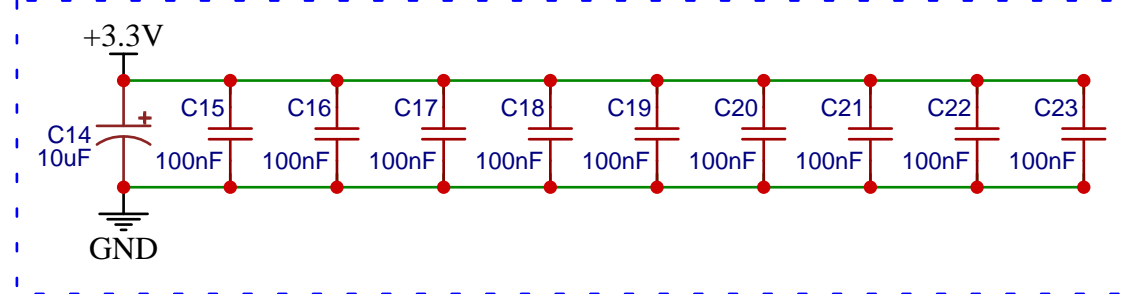


TITLE: Power		REV: 1.0
EasyEDA	Company: t ü nom	Sheet: 2/6
	Date: 2024-01-12	Drawn By: Çaar ı MANGALTEPE

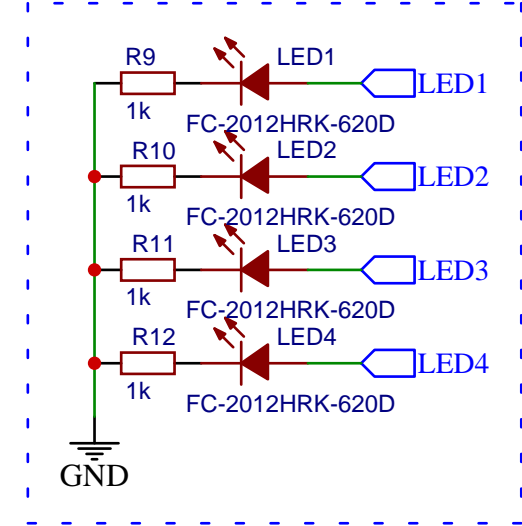
FLIGHT CONTROL COMPUTER (FCC)



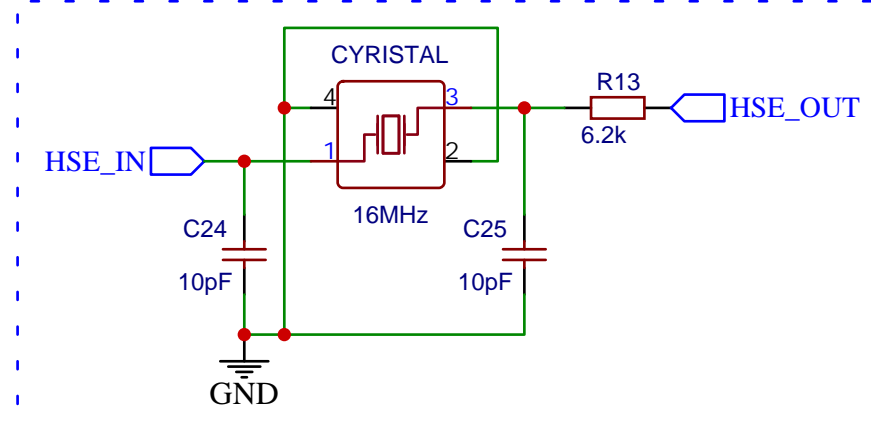
Decoupling Capacitors



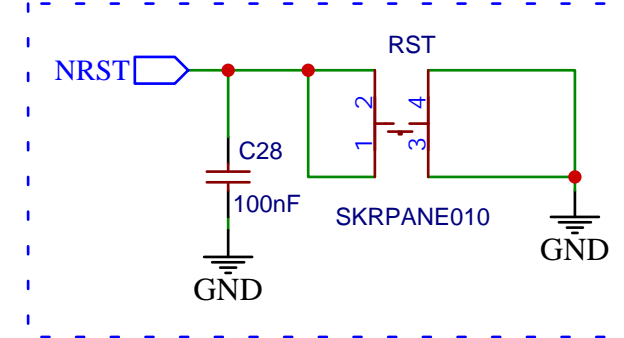
Indicator Leds



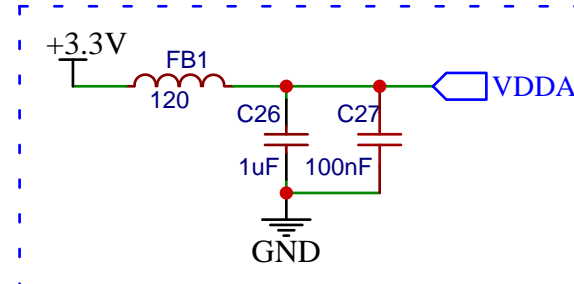
High Speed External Crystal



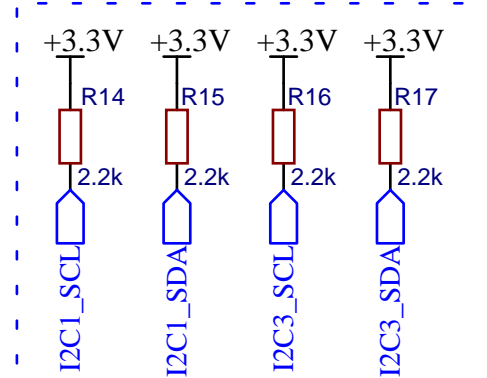
Reset Switches



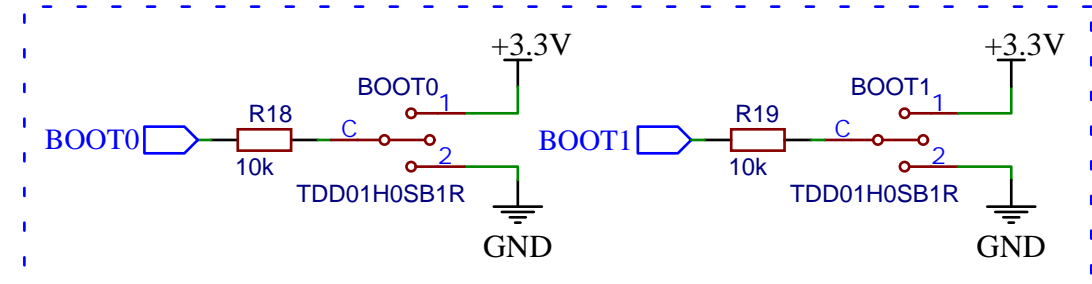
VDDA Filter



I2C Pull-Up Resistors



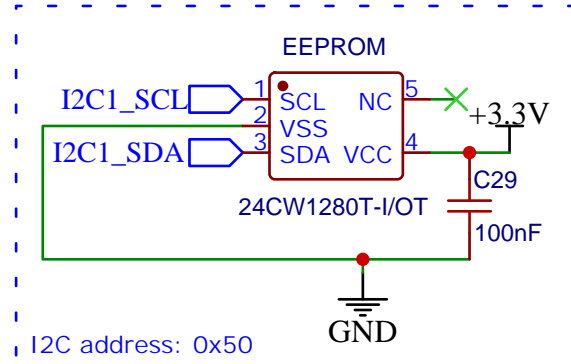
Bootmode Switches



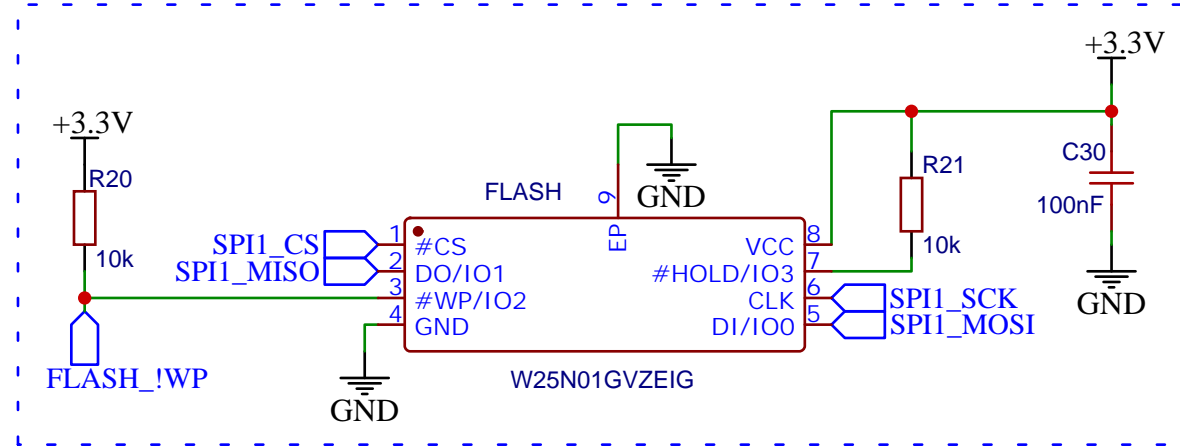
TITLE: Flight Control Computer		REV: 1.0
EasyEDA	Company: t ü nom	Sheet: 3/6
	Date: 2024-01-11	Drawn By: Çaar MANGALTEPE

PERIPHERALS

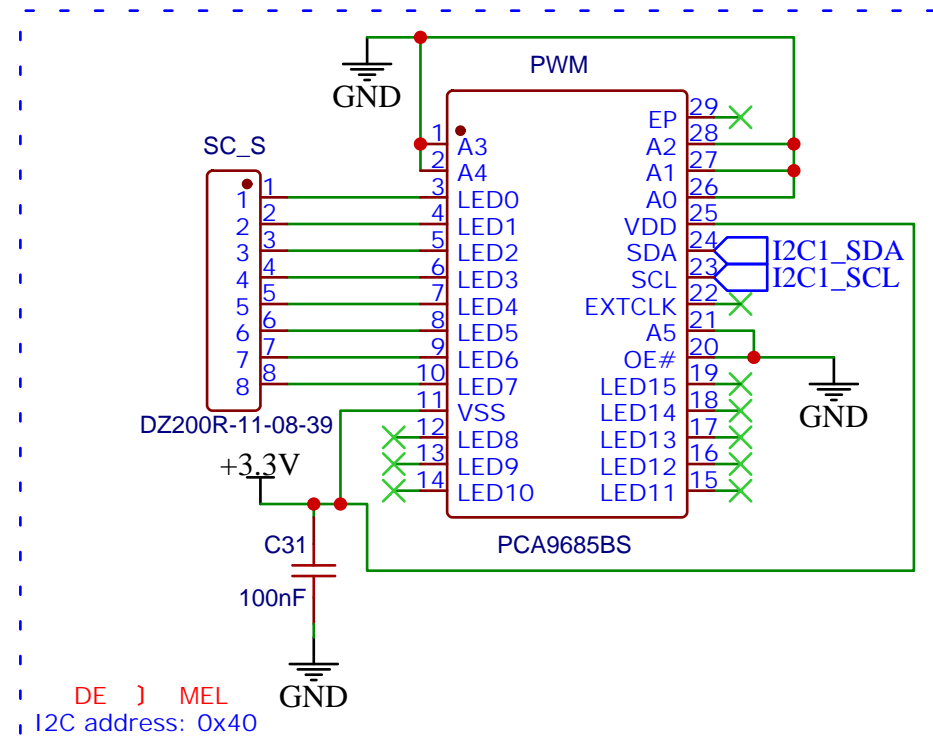
EEPROM



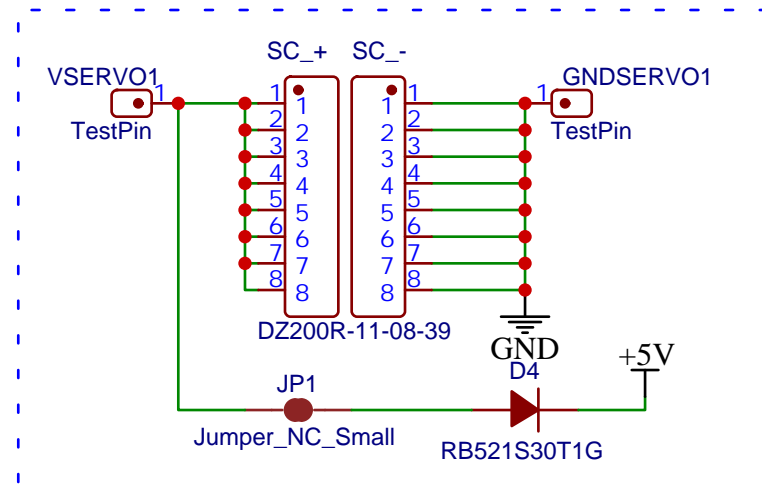
Flash



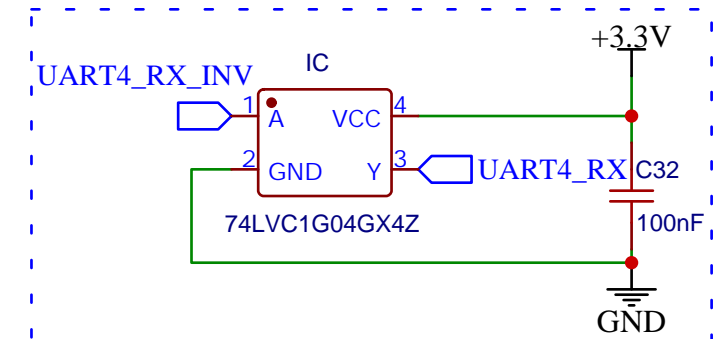
PWM Driver



Servo Connectors



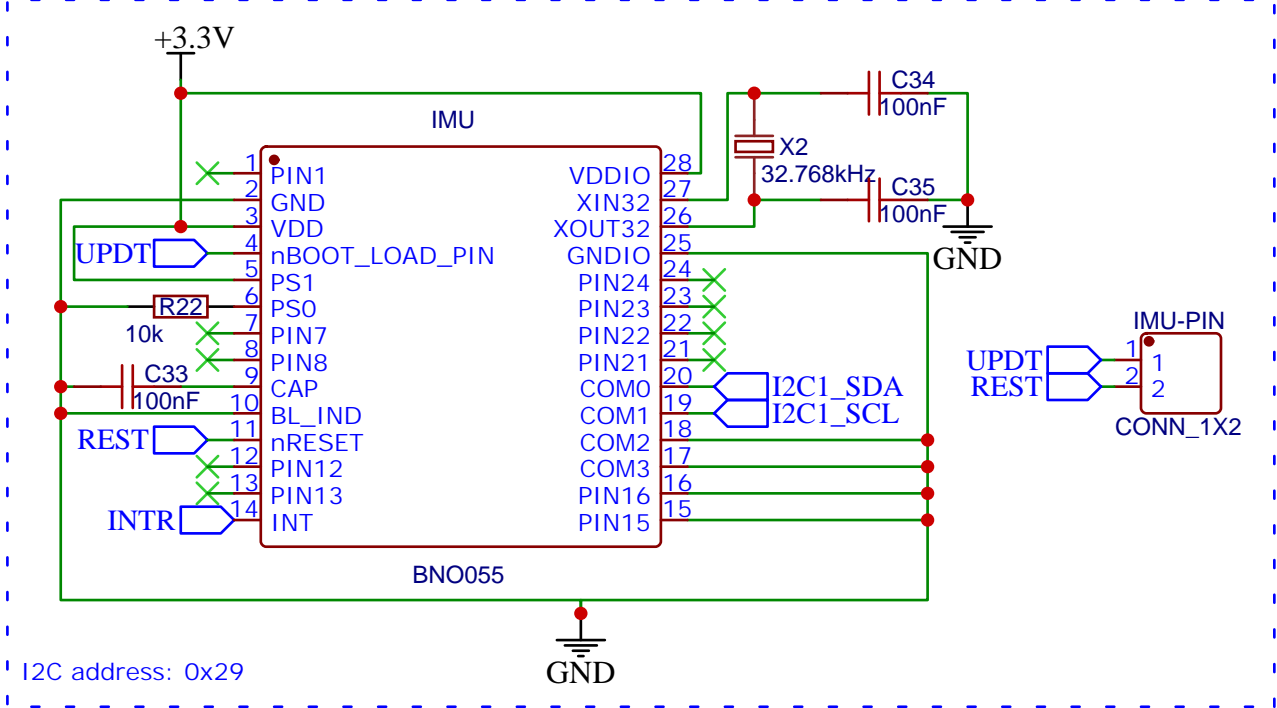
SBUS Inverter



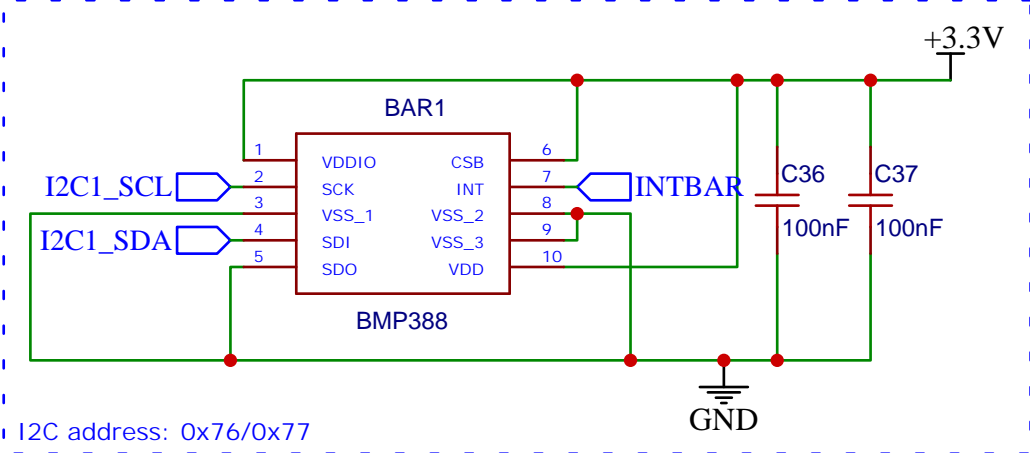
TITLE: Peripherals		REV: 1.0
EasyEDA	Company: t ü nom	Sheet: 4/6
	Date: 2024-01-12	Drawn By: Çaar MANGALTE

SENSORS

IMU+Magnetometer



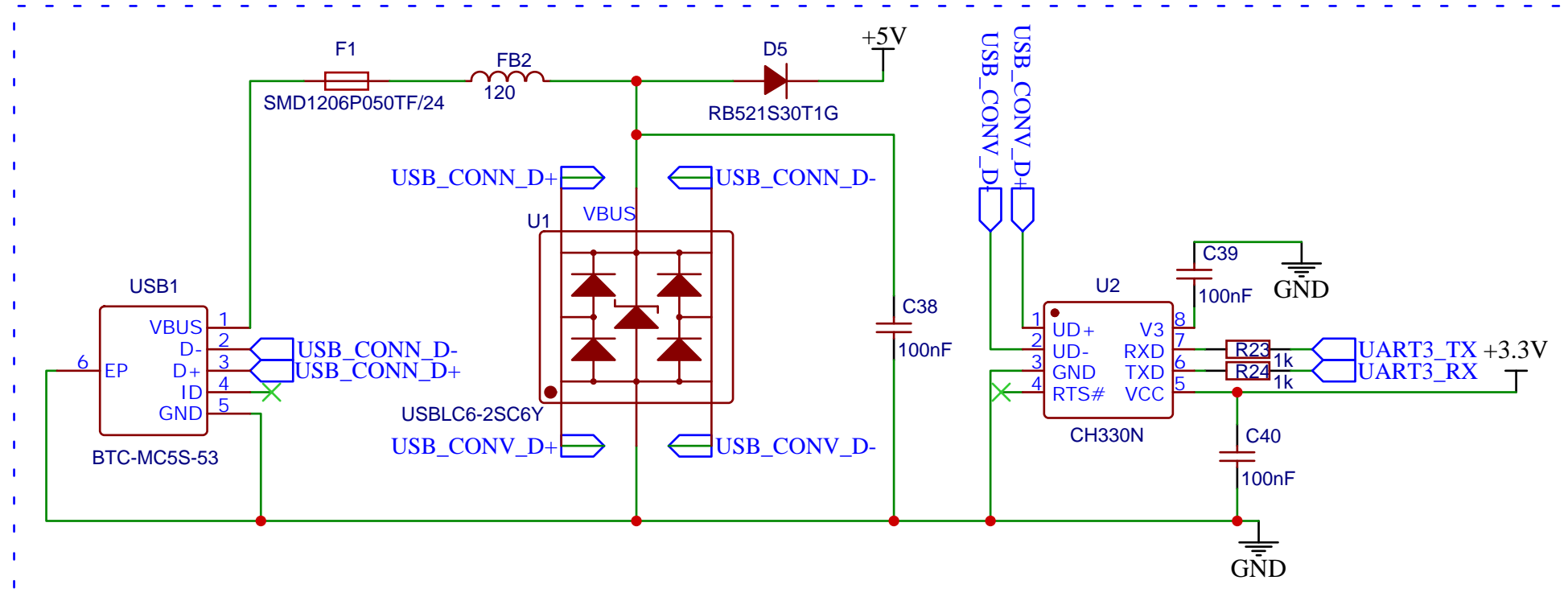
Barometer



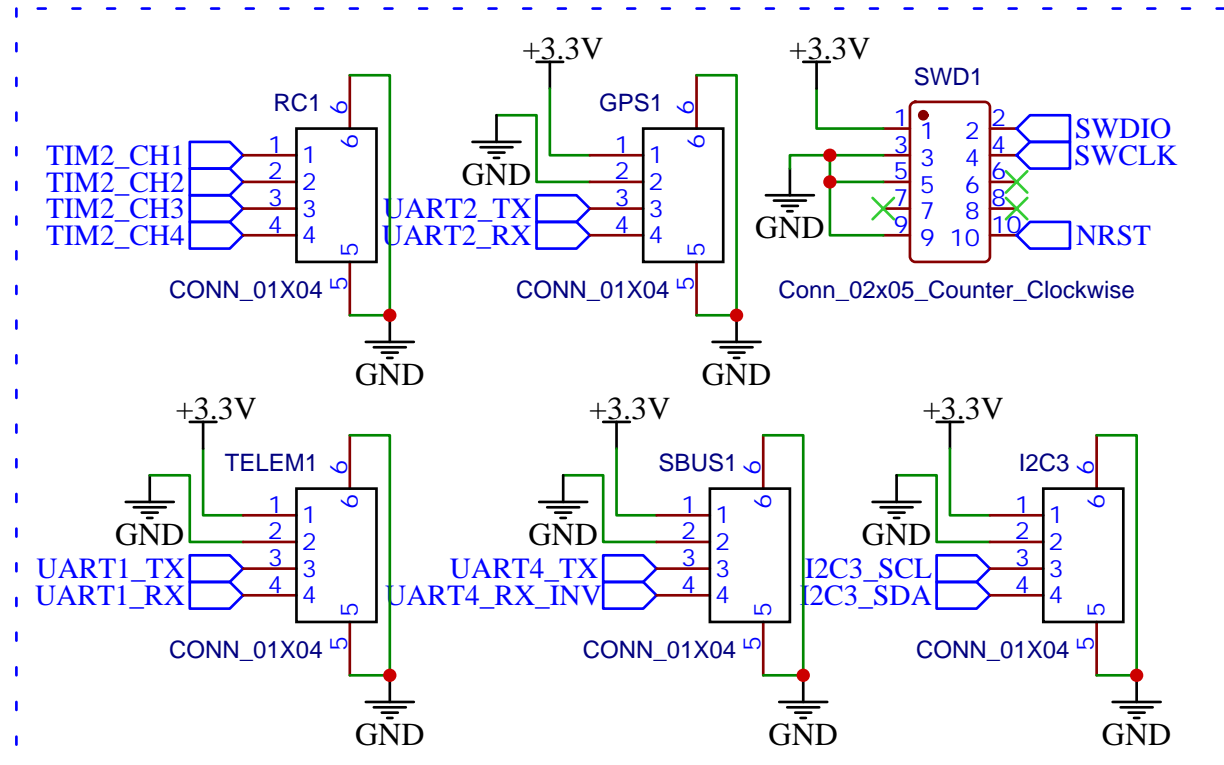
TITLE: Sensors		REV: 1.0
EasyEDA	Company: t ü nom	Sheet: 5/6
	Date: 2024-01-12	Drawn By: Çaar MANGALTEPE

CONNECTIONS

USB Port



Connectors



TITLE:	Connections	REV: 1.0
Company:	t ü nom	Sheet: 6/6
Date:	2024-01-12	Drawn By: Çaar MANGALTEPE

